

IP Indoor Monitor

904M-S9

With an Android operating system, Dnake SIP-based indoor monitor provides high-definition audio and video communication with outdoor station and room-to-room communication via SIP 2.0 protocol. It also allows integration with 3rd party software, elevator control system and home automation, offering an integrated security solution.



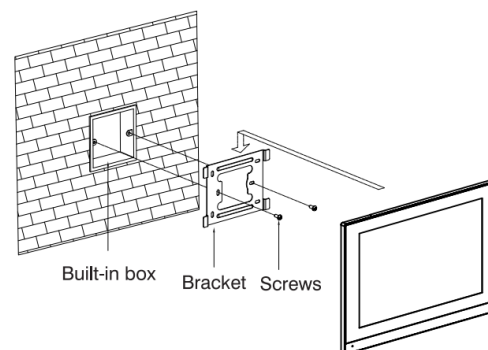
Specifications:

| Physical Property | |
|-----------------------|------------------------------|
| System | Android 6.0.1 |
| CPU | Octal core 1.5GHz Cortex-A53 |
| Memory | DDR3 1GB |
| Flash | 4GB |
| Display | 10.1" TFT LCD, 1024x600 |
| Button | No |
| Power | DC12V |
| Standby power | 3W |
| Rated Power | 10W |
| TF Card & USB Support | No |
| WIFI & Bluetooth | Optional |
| Temperature | -10°C - +55°C |
| Humidity | 20%-85% |
| Audio & Video | |
| Audio Codec | G.711/G.729 |
| Video Codec | H.264 |
| Screen | Capacitive, Touch Screen |
| Camera | Yes(Optional), 0.3M Pixels |
| Network | |
| Ethernet | 10M/100Mbps, RJ-45 |
| Protocol | SIP,TCP/IP, RTSP |
| Features | |
| IP Camera Support | 8-way Cameras |
| Door Bell Input | Yes |
| Record | Picture/Audio/Video |
| AEC/AGC | Yes |
| Home Automation | Yes(RS485) |
| Alarm | Yes(8 Zones) |

Key features:

- UI customization
- Compatible with 3rd party software
- Support external 8-way IP cameras
- Integration of elevator control and home automation
- Standard SIP 2.0
- Android based

Dimension & Installation:



Size: 270*189*16.5mm